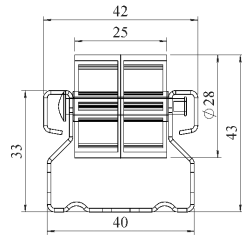


## ROLLER TRACK

### 40 Type Placon with Plain Wheel



Product Code	Track Length (mm)	Stock
MEPL15130024000	4000	

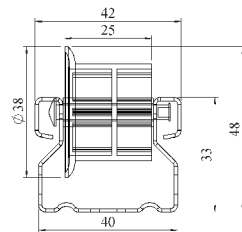
**Load Capacity** : 6 Kg

**Track Pitch** : 37 mm

**Wheel Material / Colour** : PPCP / White

**Finish** : Galvanized

### 40 Type Placon with Flange Wheel



Product Code	Track Length (mm)	Stock
MEPL15070034000	4000	

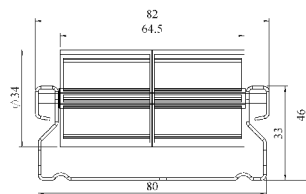
**Load Capacity** : 6 Kg

**Track Pitch** : 51 mm

**Wheel Material / Colour** : PPCP / White

**Finish** : Galvanized

### 80 Type Placon with Plain Wheel



Product Code	Track Length (mm)	Stock
MEPL15130034000	4000	

**Load Capacity** : 6 Kg

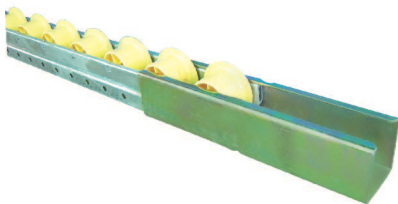
**Track Pitch** : 37 mm

**Wheel Material / Colour** : PPCP / White

**Finish** : Galvanized

## Accessories

### Joint for Placon Tracks



Product Code	Track Length (mm)	Stock
MEPL15110110300	300	

**Material** : MS

**Finish** : Zinc Plating

### Front & Back Stopper



Product Code	Track Length (mm)	Stock
MEPL151101100400040	Front	
MEPL151101200400040	Back	

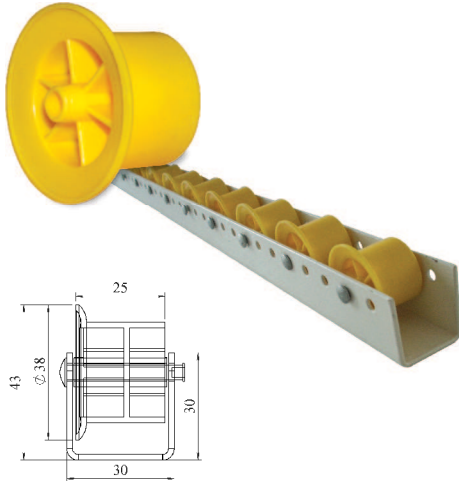
**Suitable for Aluminium** : 40 x 40

**Material** : MS

**Finish** : Zinc Plating

## ROLLER TRACK

### U Track with Flange Wheel



Product Code	Track Length (mm)	Stock
MEPL15020021000	1000	
MEPL15020021250	1250	
MEPL15020021500	1500	
MEPL15020022000	2000	

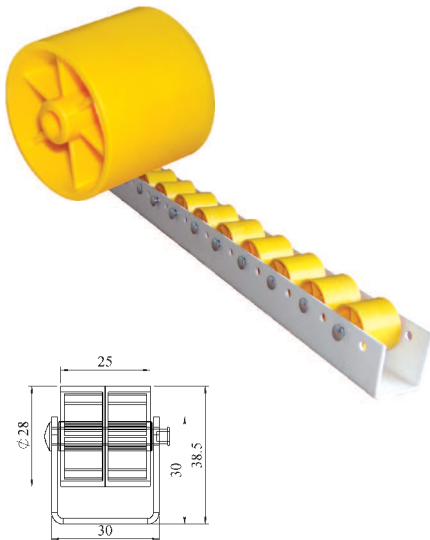
**Load Capacity** : 10 Kg

**Track Pitch** : 51 mm

**Wheel Material / Colour** : Derlin / Mango

**Finish** : Powder Coating-RAL 9001

### U Track with Plain Wheel



Product Code	Track Length (mm)	Stock
MEPL15010011000	1000	
MEPL15010011250	1250	
MEPL15010011500	1500	
MEPL15010012000	2000	

**Load Capacity** : 10 Kg

**Track Pitch** : 34 mm

**Wheel Material / Colour** : Derlin / Mango

**Finish** : Powder Coating-RAL 9001

Product Code	Track Length (mm)	Stock
MEPL15020011000	1000	
MEPL15020011250	1250	
MEPL15020011500	1500	
MEPL15020012000	2000	

**Load Capacity** : 10 Kg

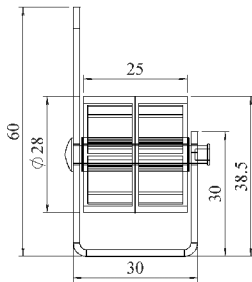
**Track Pitch** : 51 mm

**Wheel Material / Colour** : Derlin / Mango

**Finish** : Powder Coating-RAL 9001

## ROLLER TRACK

### J Track with Plain Wheel



Product Code	Track Length (mm)	Stock
MEPL15030011000	1000	
MEPL15030011250	1250	
MEPL15030011500	1500	
MEPL15030012000	2000	

**Load Capacity** : 10 Kg

**Track Pitch** : 34 mm

**Wheel Material / Colour** : Derlin / Mango

**Finish** : Powder Coating-RAL 9001

Product Code	Track Length (mm)	Stock
MEPL15040011000	1000	
MEPL15040011250	1250	
MEPL15040011500	1500	
MEPL15040012000	2000	

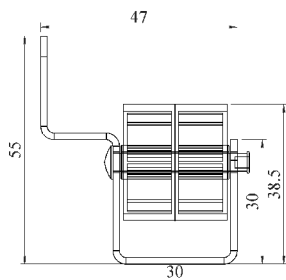
**Load Capacity** : 10 Kg

**Track Pitch** : 51 mm

**Wheel Material / Colour** : Derlin / Mango

**Finish** : Powder Coating-RAL 9001

### Flange Track with Plain Wheel



Product Code	Track Length (mm)	Stock
MEPL15050011000	1000	
MEPL15050011250	1250	
MEPL15050011500	1500	
MEPL15050012000	2000	

**Load Capacity** : 10 Kg

**Track Pitch** : 34 mm

**Wheel Material / Colour** : Derlin / Mango

**Finish** : Powder Coating-RAL 9001

Product Code	Track Length (mm)	Stock
MEPL15060011000	1000	
MEPL15060011250	1250	
MEPL15060011500	1500	
MEPL15060012000	2000	

**Load Capacity** : 10 Kg

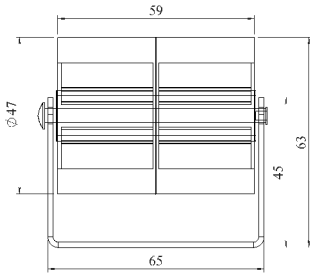
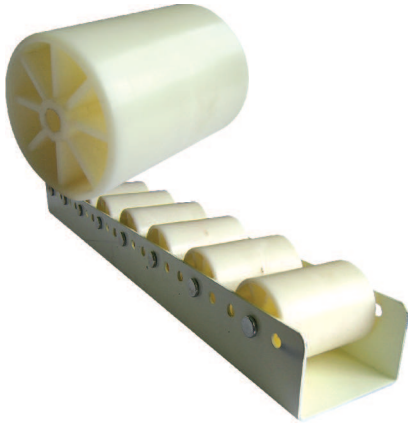
**Track Pitch** : 51 mm

**Wheel Material / Colour** : Derlin / Mango

**Finish** : Powder Coating-RAL 9001

## ROLLER TRACK

### U Track with Plain Wheel



Product Code	Track Length (mm)	Stock
MEPL15080011000	1000	
MEPL15080011250	1250	
MEPL15080011500	1500	
MEPL15080012000	2000	

**Load Capacity** : 50 Kg

**Track Pitch** : 60 mm

**Wheel Material / Colour** : PPCP / White

**Finish** : Powder Coating-RAL 9001

Product Code	Track Length (mm)	Stock
MEPL15090011000	1000	
MEPL15090011250	1250	
MEPL15090011500	1500	
MEPL15090012000	2000	

**Load Capacity** : 50 Kg

**Track Pitch** : 80 mm

**Wheel Material / Colour** : PPCP / White

**Finish** : Powder Coating-RAL 9001

### Metallic Roller with Channel

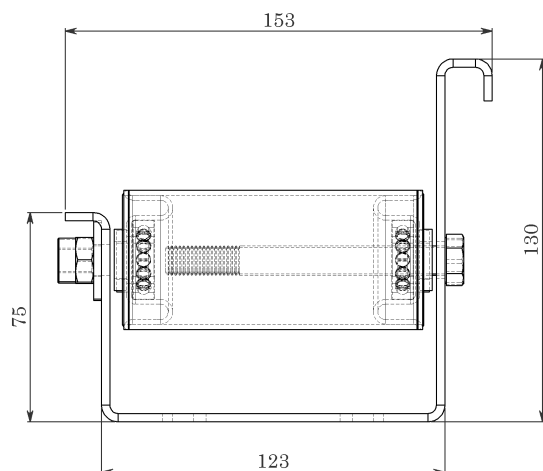
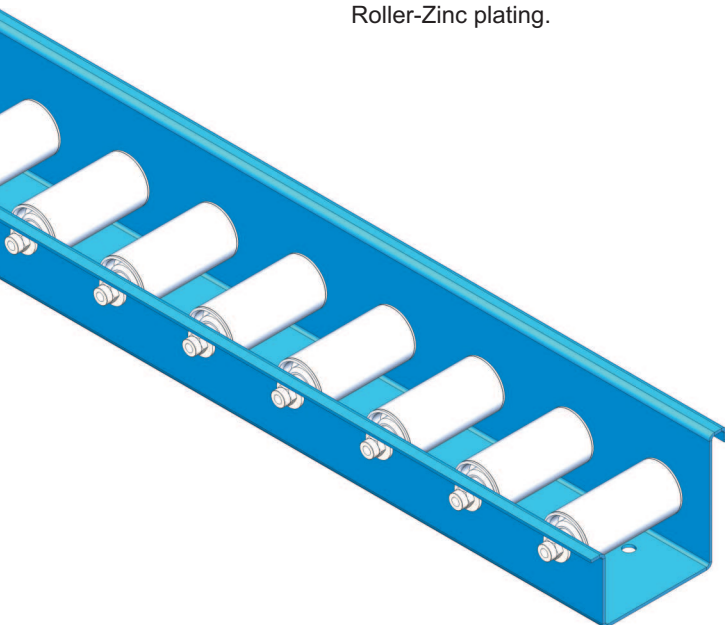
Used for guide the heavy pallet on ground floor or dynamic rack.

Roller available in size  $\varnothing 50 \times 100$  length &  $\varnothing 63 \times 100$  length.

**Finish** : Powder Coating.

Roller channel-RAL 5015.

Roller-Zinc plating.



A